



The
Awake
Experience



Stay Awake

Awake is at the forefront of water sports with our cutting-edge line of electric surfboards. Our RÄVIK Jetboards and VINGA eFoils are designed and developed in Scandinavia

RÄVIK Explore

- > Beginner friendly
- > Effortless
- > Durable

from **€8.900**

Board bag and accessories included



RÄVIK Explore



The Easiest Jetboard to Master

Designed for effortless riding, the RÄVIK Explore offers unmatched stability and a heavy weight capacity, making it suitable for beginners, heavier or young users, and anyone seeking the excitement of electric surfing. Its intuitive design ensures accessibility for everyone.

Effortless Operation for Riders

The RÄVIK Explore is created for convenience, featuring extra handles and a lightweight build for easy setup, use, and storage.

With its low-maintenance design, it reduces the time and effort required for upkeep, giving owners peace of mind and more time on the water.

RÄVIK Explore — Specifications

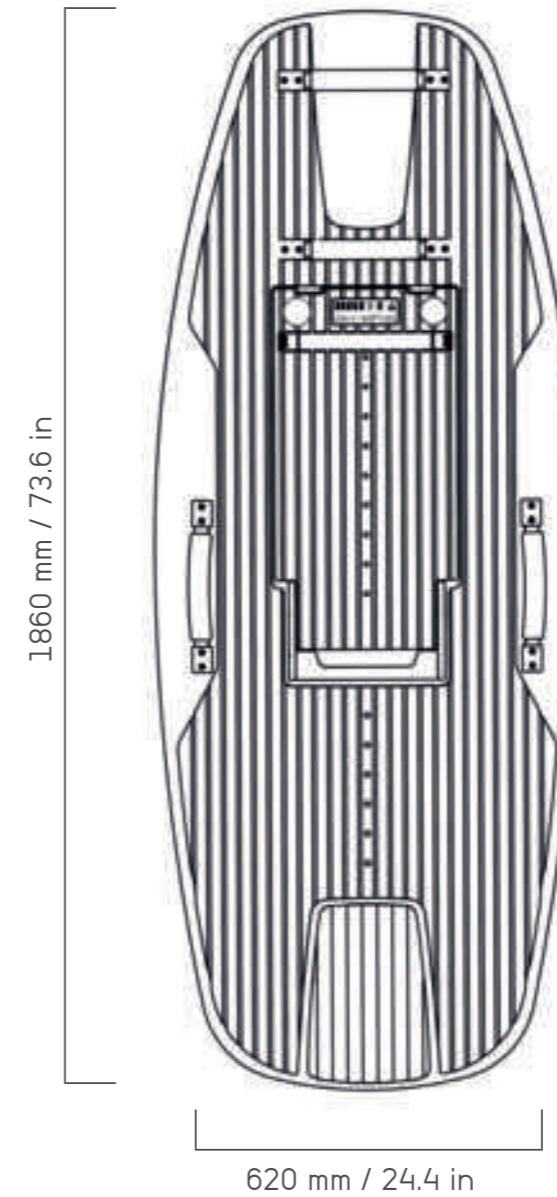
Top speed: Up to 40 kph / 25 mph

Weight: 21 kg / 46 lb

Riding time (XR 4): Up to 60 min

Hull shape: Dual channels

Volume: 121 Liters



awake
ELECTRIC SURFBOARDS AND EFOILS



RÄVIK Adventure

- > Elegant
- > Adaptable
- > Dynamic

from **€12.900**

Board bag and accessories included



RÄVIK Adventure

Redefining the Jetboard

With enhanced performance, a sleek new design, and a lighter battery, the updated RÄVIK Adventure is your companion for exciting experiences on the water. Suitable for personal enjoyment or as a luxury water toy aboard yachts, it delivers an unmatched blend of excitement and sophistication.

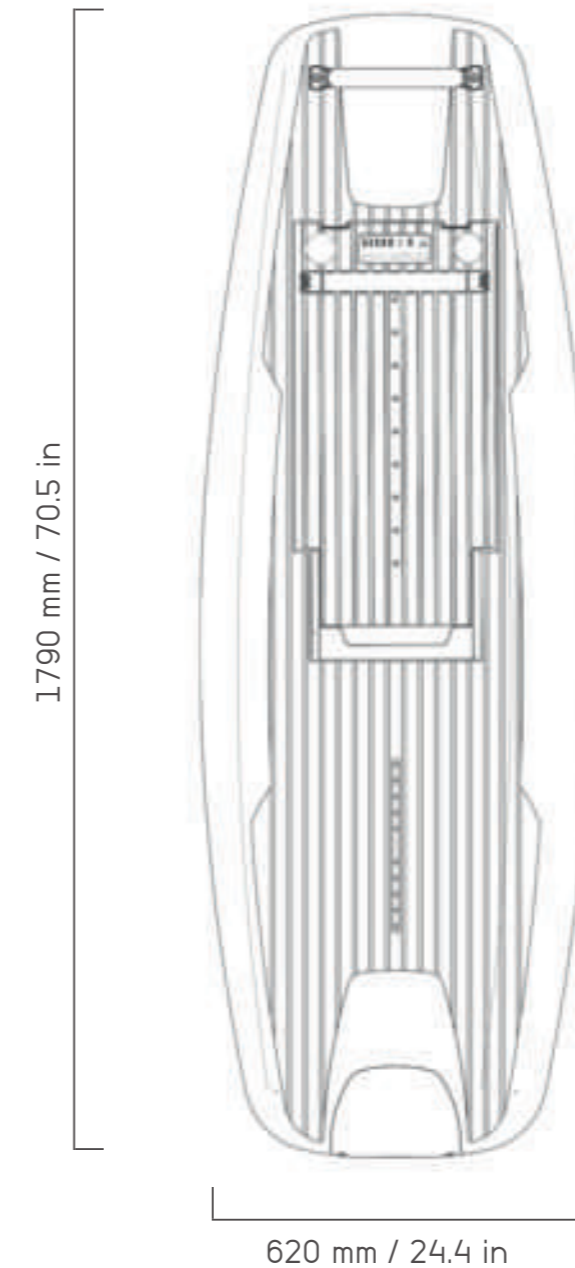
An Adventure in Performance

The RÄVIK Adventure takes the riding experience to the next level, offering a noticeable upgrade over the RÄVIK 3 and a higher performance than the RÄVIK Explore. Tailored for any rider, it's designed to give you the ability to cruise, carve and push beyond conventional watersports. Every ride is an extraordinary experience.



RÄVIK Adventure — Specifications

Top speed:	Up to 55 kph / 34 mph
Weight:	23 kg / 50 lb
Riding time (XR 4):	Up to 60 min
Hull shape:	V Shaped, Medium rocker, Wide tail
Dimensions (L/W/B):	179 x 62 x 26 cm / 5'9" x 24,4" x 10,2"
Volume:	71 Liters



RÄVIK Adventure

Lightweight Design for Portability. The improved battery system not only enhances portability but also ensures the board is easy to handle without compromising ride time. The result?

A high-performance jetboard that's as practical as it is exciting.



RÄVIK Ultimate

- > Fast
- > Agile
- > Lightweight

from **€14.900**

Board bag and accessories included



RÄVIK Ultimate

The Pinnacle of Jetboard Performance

The RÄVIK Ultimate is the apex of jetboard innovation, designed for advanced riders who demand unmatched speed, precision, and power. With enhanced performance capabilities and a sleek black design featuring exposed carbon fiber, this board commands attention on and off the water.

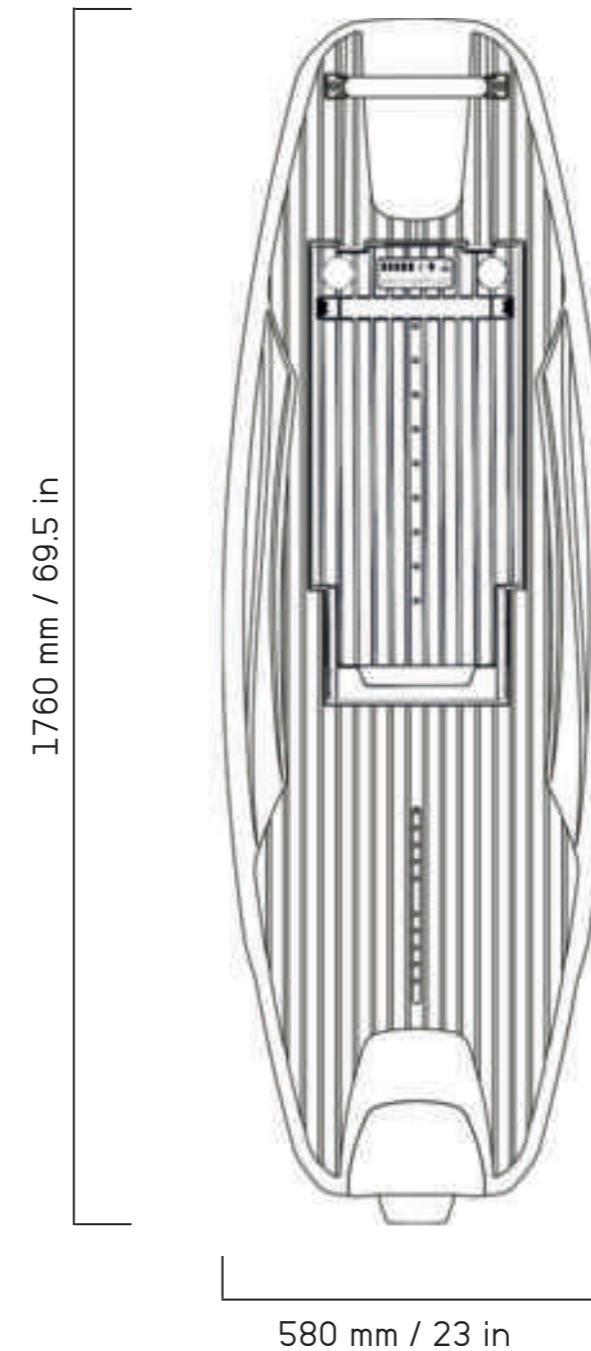
Unique Build

Unleash unparalleled acceleration and agility with the RÄVIK Ultimate. Engineered for competitive jetboard racing and high-speed watersports action, it delivers the power and control needed to dominate any conditions.



RÄVIK Ultimate — Specifications

Top speed:	Up to 55+ kph / 34+ mph
Weight:	18 kg / 44 lb
Riding time (XR 4):	Up to 60 min
Hull shape:	V Shaped, Medium rocker, Wide tail
Dimensions (L/W/B):	179 x 62 x 26 cm / 5'9" x 24,4" x 10,2"
Volume:	51 Liters



RÄVIK Ultimate — Features and upgrades

Precision Redefined

Improved maneuverability and razor-sharp handling make every turn effortless and every ride exhilarating. Whether carving through waves or racing to victory, the RÄVIK Ultimate gives riders the confidence to push their limits.



Stay Awake



VINGA Adventure

- > Effortless
- > Balanced
- > Long Range

from **€11.900**

Board bag and accessories included



VINGA Adventure — Features and upgrades

Accessible eFoil

The VINGA Adventure combines safety, performance, and accessibility, making it a suitable choice for those looking to explore the water with confidence and ease. Whether you're a beginner or an experienced rider, this eFoil delivers an unforgettable journey above the water.

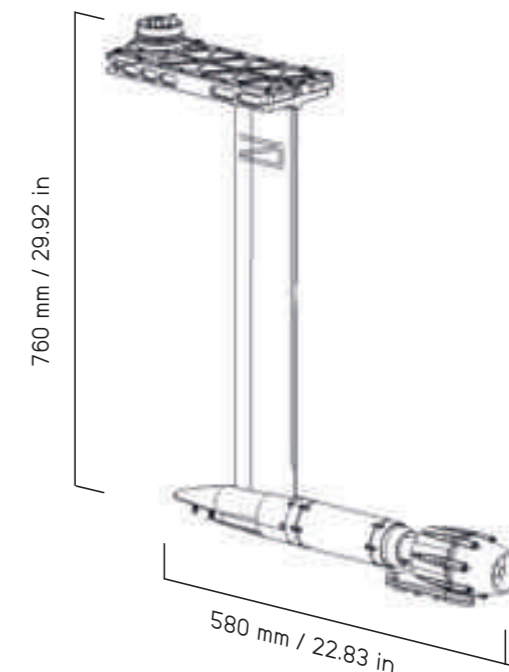
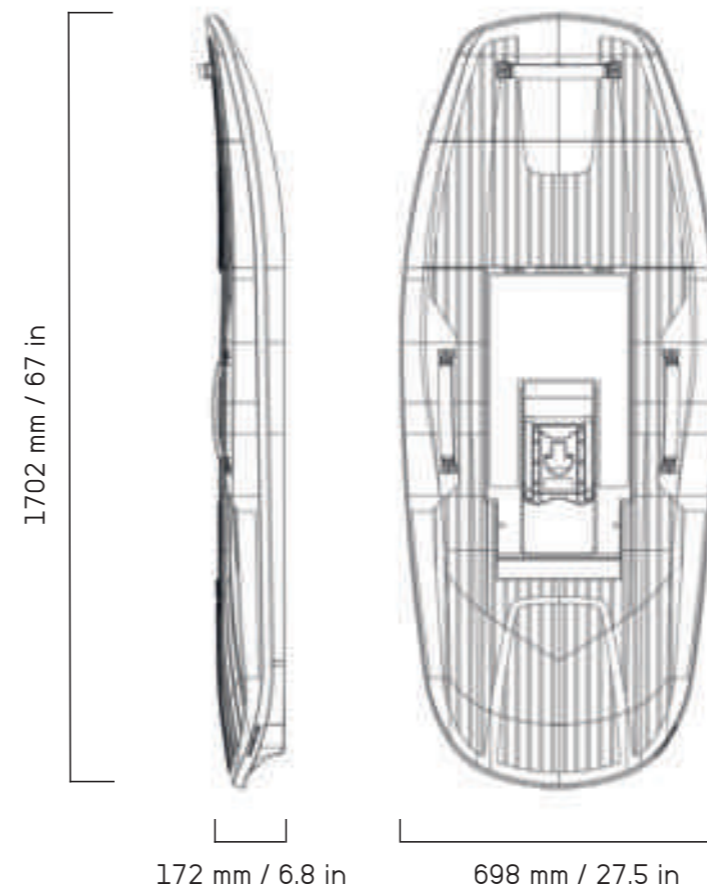
Safety First

Effortless to ride, the VINGA Adventure's intuitive design makes it ideal for first-time eFoil riders, while delivering the performance seasoned adventurers expect. Designed with advanced stability and control, the VINGA Adventure prioritizes your safety without compromising excitement. Ride with peace of mind and focus on the moment.



VINGA Adventure — Specifications

Top speed:	Up to 50 kph / 31 mph
Weight:	18 kg / 39 lb
Riding time (LR 4):	Up to 60 min
Riding time (XR 4):	Up to 120 min
Hull shape:	V Shaped, Medium rocker, Wide tail
Dimensions (L/W/B):	170 x 70 x 17 cm / 5'6" x 25" x 6,7"
Volume:	95 Liters



Awake Click-To-Ride

Easy and Safe assembly

No screws or cables to connect. Slide the board on top of the drive train, insert the battery and secure the connection with the locking handle.



VINGA Ultimate

- > Exciting
- > Agile
- > Unleashed

from **€13.900**

Board bag and accessories included



VINGA Ultimate

Action-Packed Excitement

Experience the rush of high-performance eFoiling with exceptional speed and power that turns every session into an adrenaline-filled adventure. Designed with advanced technology and sleek styling, this eFoil delivers an electrifying ride that sets new standards on the water.

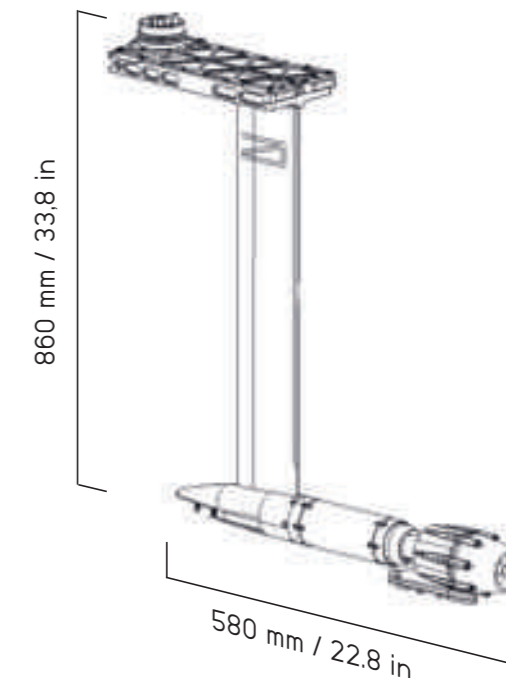
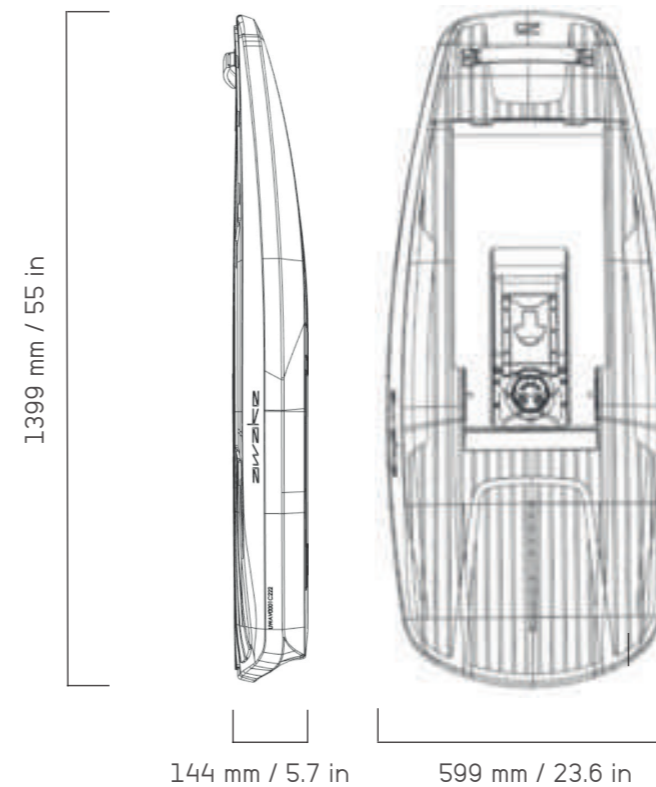
Unmatched Maneuverability

Engineered for precision, the VINGA Ultimate offers razor-sharp control and seamless turns, making it the ideal choice for riders who want to push the limits of eFoiling.



VINGA Ultimate — Specifications

Top speed:	Up to 55 kph / 34 mph
Weight:	17 kg / 37 lb
Riding time (LR 4):	Up to 60 min
Riding time (XR 4):	Up to 120 min
Dimensions (L/W/B):	140 x 60 x 15 cm / 4'6" x 23,6" x 5,7"
Volume:	60 Liters



Awake Flex Hand Controller 4

- > Wide color display
- > Ergonomic
- > Smooth throttle control

€590



Awake Flex Hand Controller 4 – Specifications



Awake Flex Battery LR 4

- > Optimized for eFoil
- > Lightest battery
- > Safe and durable

€2.900



Weight: **10.5 kg / 23 lb**

Capacity: **1,27 kWh**

Awake Flex Battery XR 4

- > Light
- > Extended Range
- > Safe and Durable

€4.500

Weight: 16,5 kg / 35 lb
Capacity: 2,55 kWh



Cruise 1600 wing

- > Ultra stable
- > Smooth
- > Forgiving

€990

Standard wing for VINGA Adventure



Accessories

Battery Charger – XR / SR, LR 4 / XR 4



Carbon Flns – RÄVIK



Power Key Leash – RÄVIK



Controller – Throttle and acceleration



Controller Charger – Induction



Foot Straps – RÄVIK and VINGA Ultimate



Accessories

Awake Life Vest – ISO 50N



Battery Back Pack – All Flex Batteries



Competition Power Key – RÄVIK and VINGA



Awake Mat – Protective carpet



VINGA Wings – Powder, Fluid and Cruise



Wall Mount – Including screws



Contact us

Ride Awake ApS / Awake

Headquarters:

Langebrogade 4

1411 Copenhagen

Denmark

Phone: +46 (0) 877 77 270

Web: awakeboards.com

 @awakeboards

 @awakeboards

 sales@awakeboards.com

 @Awake Boards

Ride Awake USA inc. / Awake

Headquarters:

1065 SW 8th St #1290

Miami, FL 33130

United States

Phone: +1 312 843 3400

Web: awakeboards.us



reddot winner 2021



Finalist 2019
Hardware Summer



reddot award 2019
winner



www.awakeboards.com

awake
ELECTRIC SURFBOARDS & EFOILS